

INDUCTION HOB

PIIS 9051B012 K

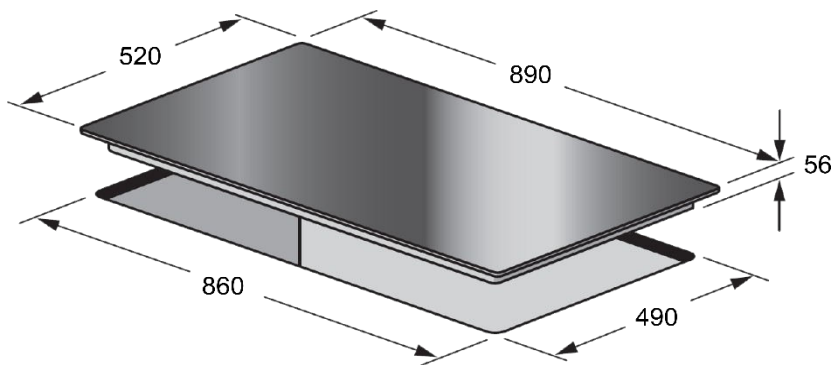
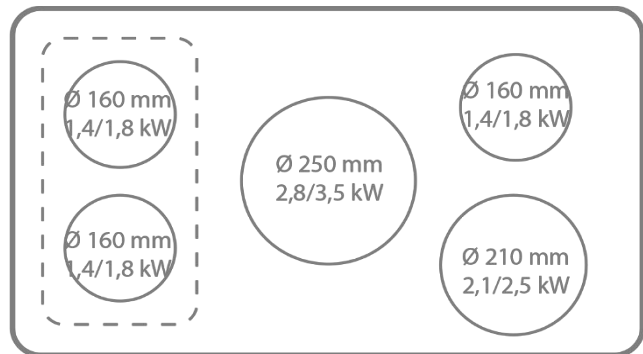


FEATURES

- Slider
- 9 cooking levels
- 5 zones
- Egg timer

SPECIAL FEATURES

- 5 booster
- 1 bridge
- Auto keep warm 50°C
- Auto chocolate 40°C



SAFETY

- Child lock
- Unintentional turn-on
- Overheating

EAN 5425025901401

TEPPANYAKI

GRAR2644



EAN 5425025902729

Knoppen / boutons / knobs		
Tiptoetsen / touches sensibles / Soft touch		
Slider		●
Kleur / couleur / colour		BLACK
PRESTATIES / PERFORMANCES / PERFORMANCES		
Zone 1 - Ø mm / W	160	1400/1800
Zone 2 - Ø mm / W	160	1400/1800
Zone 3 - Ø mm / W	160	1400/1800
Zone 4 - Ø mm / W	210	2100/2500
Zone 5 - Ø mm / W	250	2800/3500
Zone 6 - Ø mm / W		
Totaal vermogen / puissance totale / total power (W)		
Kook niveaus / niveaux de puissance / cooking levels		9
KENMERKEN / CARACTÉRISTIQUES / FEATURES		
Stroom onderbrekende timer / minuterie coupe courant / cut-off timer		
Timer / minuterie / egg timer		●
Snelle zone / zone rapide / rapid zone		
Variabele zone / zone variable / variable zone		
Uitbreidbare zone / zone extensible / extensible zone		
Bridge		1
Flex		
Smart flex		
Free zone		
Booster		5
Dubbele booster / double booster / double booster		
Opstart booster / booster de démarrage / startup booster		
Geheugen / mémoire / memory		
Re-start / recall		
Auto chocolate (°C)		40
Auto keep warm (°C)		50
Pauze / pause / pause		●
Grill functie / fonction grill / grill function		
Chef functie / mode chef / chef mode		
VEILIGHEID / SÉCURITÉ / SAFETY		
Kinderbeveiliging / verrouillage enfants / child lock		●
Onvrijwillig opzetten / allumage involontaire / unintentional turn-on		●
Overkoken / anti-débordement / overflow		
Oververhitting / surchauffe / overheating		●
AANSLUITING / RACCORDEMENT / CONNECTION		
220 - 240V 1N~		
220 - 240V 2L+2N~		
380 - 415V 2N~		
380 - 415V 3N~		
Frequentie / Fréquence / Frequency (Hz)		50
VERZENDING / EXPÉDITION / SHIPMENT		
B x D x H / L x P x H / W x D x H (mm)		941 x 583 x 152
Netto / net / net (kg)		16,00
Bruto / brut / gross (kg)		17,00
EAN		5425025901401